

**Head Office:**  
MARS Complex, Poothole Road, Thrissur, Kerala  
India - 680 004. Ph: +91 487-2385001, 2385002  
E-mail: customerservice@starline.in  
www.starlineenterprises.in

**Factory:**  
Sree Sai Krithika Industrial Estate  
4 / 293, S.F. No. 221 & 91, Sreerapalayam,  
Post - Podipalayam, Coimbatore, Tamil Nadu,  
India - 641 105

## Spring Hanger 25 mm Standard Deflection

Catalogue Number : 9000103 : Rev. 01 Dated 07-10-2014

### 1. Compliance:

- a) Designed to BS 1726 -1 : 1987
- b) Tolerance to BS 1726-1 : 2002
- c) SAE and Ashrae Guidelines for Vibration Isolation

### 2. Application:

- a) Spring Hangers are used for isolation of vibration produced by suspended mechanical equipment, low speed suspended fan, transformers, duct work, piping etc... These are especially recommended for isolating any suspended source of audible / inaudible noise and vibration with minimum static deflection requirement exceeding 13 mm and up to 25 mm.

### 3. Product Features:

- a) Spring diameter to height ratios are designed to ensure that spring will never buckle even when fully loaded.
- b) Suspension rod misalignment (30 degree arc) is compensated in hanger design.
- c) Locking rubber bush centralizes the spring and prevents dislocation.
- d) Springs are powder coated with appropriate color coding to facilitate identification.
- e) Frame is made of G.I. steel and powder coated to 100 microns paint thickness (exceeds 1000 hours of salt spray test) and conforming to ASTM B-117.  
Option : Frame Hot Dip Galvanized. Part Number prefix with "HDG".  
Spring Neoprene Coated. Part Number prefix with "N".  
Spring Plastic Dip Coated. Part Number prefix with "P".
- f) Isolation Brackets are capable of overloading upto 500%.

### 4. Selection / Ordering:

- a) Point load (Calculated to include all variables such as weight of water in pipe lines etc. if applicable).

### 5. Installation Guide lines:

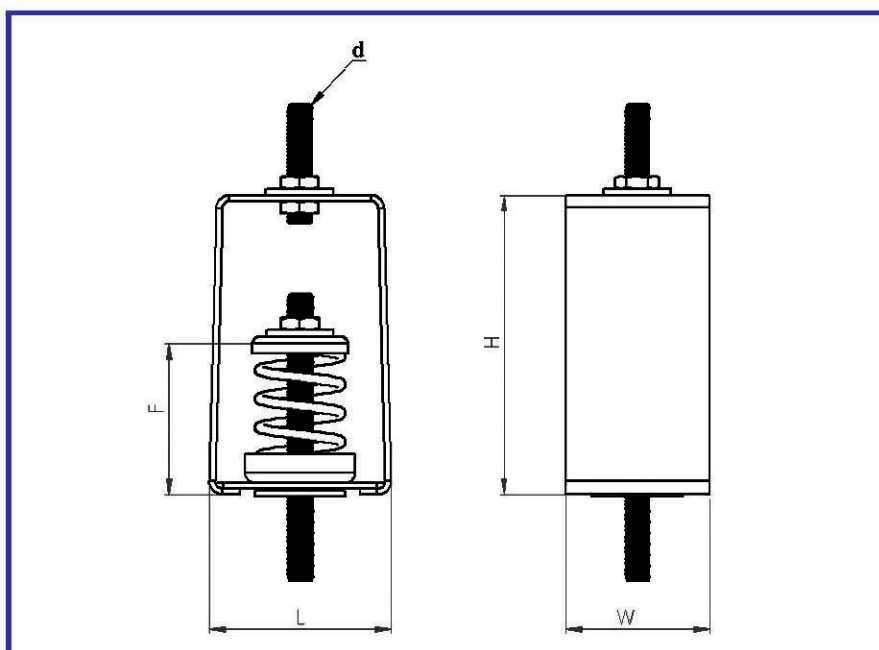
- a) Included in packaging.



**SELECTION TABLE FOR 25 MM DEFLECTION SPRING HANGERS** (Table No: C-09-01)

Isolator Model	Rated Load (kg)	Spring Colours	Dimensions (mm)				
			L	W	F	H	d
SSH25-A25	25	Green	77	60	76	120	M10
SSH25-A50	50	Black					
SSH25-A75	75	Yellow					
SSH25-A100	100	Blue	77	60	84	120	M10
SSH25-A150	150	Grey					
SSH25-A200	200	Orange					
SSH25-B200	200	Black	77	80	93	145	M12
SSH25-B250	250	Yellow					
SSH25-B300	300	Blue					
SSH25-B400	400	Grey					
SSH25-C400	400	Brown	94	80	110	180	M16
SSH25-C500	500	Grey					
SSH25-C600	600	Orange					
SSH25-C700	700	Green	94	80	130	220	M22
SSH25-C800	800	Pink					
SSH25-C1000	1000	White					
SSH25-C1200	1200	Purple					
SSH25-C1400	1400	Green	235	75	165	325	M30
SSH25-C1600	1600	Pink					
SSH25-C2000	2000	White					
SSH25-C2400	2400	Purple					
SSH25-C2800	2800	Yellow	235	75	165	350	M36
SSH25-C3200	3200	White					

Spring Hangers with Higher Capacity available on application.



**Spring Hanger**  
**25 mm Standard Deflection**

