

Head Office:
MARS Complex, Poothole Road, Thrissur, Kerala
India - 680 004. Ph: +91 487-2385001, 2385002
E-mail: customerservice@starline.in
www.starlineenterprises.in



Factory:
Sree Sai Krithika Industrial Estate
4 / 293, S.F. No. 221 & 91, Sreerapalayam,
Post - Podipalayam, Coimbatore, Tamil Nadu,
India - 641 105

Multi Layer Pads

Catalogue Number : 9000115 : Rev. 01 Dated 11-10-2014

1. Compliance:

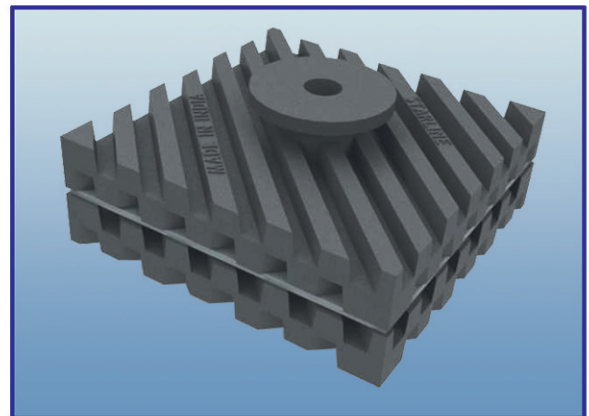
- a) British Standards, BS 3974 : Part I

2. Application:

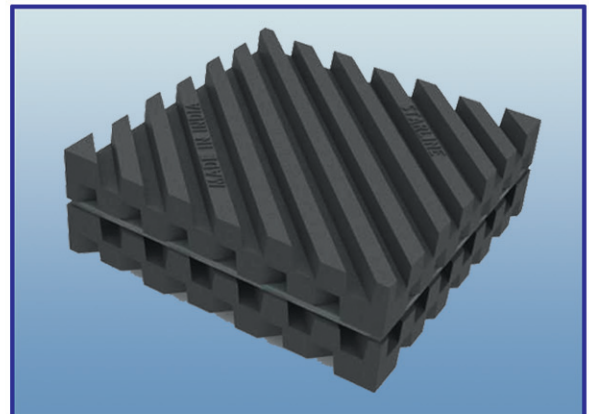
- a) Multi Layer Pads are ideal for applications where Pad type mountings are to be used. Featuring multiple patterned rubber sheets separated by steel load distribution plates, they provide better isolation of noise and vibration than single sheet pads.

3. Product Features:

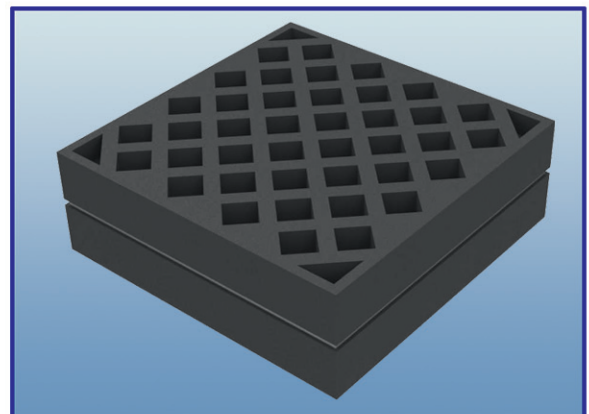
- a) Pad comprises of multiple layers of resilient rubber in series. This permits higher deflection under load than feasible with a single layer.
- b) Load distribution plates ensure full pad area is used and give more linear load deflection characteristics.
- c) Starline Ribbed Multi Layer Pad
 1. Unique Diagonal Ribs help to distribute applied load evenly over larger area of pad surface.
 2. Alternating raised ribs extend pad load range.
 3. Ribs above and below the pad are at right angles to each other, thereby forming non skid surfaces which resist creeping of the equipment.
- d) Starline Square Cell Multi Layer Pad
 1. Square Cell pattern has a higher load bearing capacity than ribbed.
 2. The Grid Design creates "Suction Pockets" for better grip on equipment / floor surface.
 3. The suction pockets make the pad more effective for noise attenuation than ribbed pads.
 4. Solid cell periphery extends pad life by preventing ingress of external contaminants.



Multi Layer Pad with Grommet G1



Ribbed Multi Layer Pad (SMLP66R/SMLP44R)



Square Cell Multi Layer Pad (SMLP66SC/SMLP44SC)

4. Pads for Bolted Installations :

In installations where equipment is bolted to the floor, the bolt must be isolated from the equipment base. Failure to do so, short circuits the pad and allows travel of noise / vibration to the building structure via the bolt. Starline offers the exclusive feature of Multi Layer Pad with pre drilled central hole and supplied complete with Grommet “G1”. The Grommet breaks physical contact between the bolt and the equipment base, thereby permitting the pad to perform optimally.

5. Options:

Both Ribbed and Square Cell Multi Layer Pads are available with Grommet. Add suffix “G” after Model.

6. Installation Guidelines:

- a) The Multi Layer Pad should not extend beyond the equipment base by more than 15 mm.
- b) Wherever the equipment leg has a very small bearing area, cement a 3 mm thick steel load distribution plate over the pad using rubber based adhesive.
- c) Use Starline Multi Layer Pad with Grommet “G1” where the equipment needs to be bolted to the floor.

SPECIFICATIONS (Table No: C-19-01)

Ribbed Multi Layer Pad	
Sizes ^{*1}	150 mm x 150 mm x 35 mm(SMLP66R) 100 mm x 100 mm x 35 mm (SMLP44R)
Construction ^{*1}	2 Layers ribbed rubber sheet 1 Layer 16 gauge galvanized steel
Material ^{*2}	Compounded Natural Rubber
Loading	Recommended - 2.8 kg/cm ² (40 psi) Range : 2 to 4 kg/cm ² (28 to 57 psi)
Deflection	Apprx. 4.5 mm at recommended load
Square Cell Multi Layer Pad	
Sizes ^{*1}	150 mm x 150 mm x 35 mm(SMLP66SC) 100 mm x 100 mm x 35 mm (SMLP44SC)
Construction ^{*1}	3 Layers Square Cell rubber sheet 2 Layers 16 gauge galvanized steel
Material ^{*2}	Compounded Natural Rubber
Loading	Recommended - 3.5 kg/cm ² (50 psi) Range : 3 to 4.5 kg/cm ² (43 to 64 psi)
Deflection	Apprx. 4.5 mm at recommended load

^{*1} : Pads with higher number of layers available on request

^{*2} : Other Elastomers like EPDM, Neoprene, SBR etc.. available on request

Due to policy of continual improvement, the specifications are subject to change without prior notice.



Multi Layer Pads

