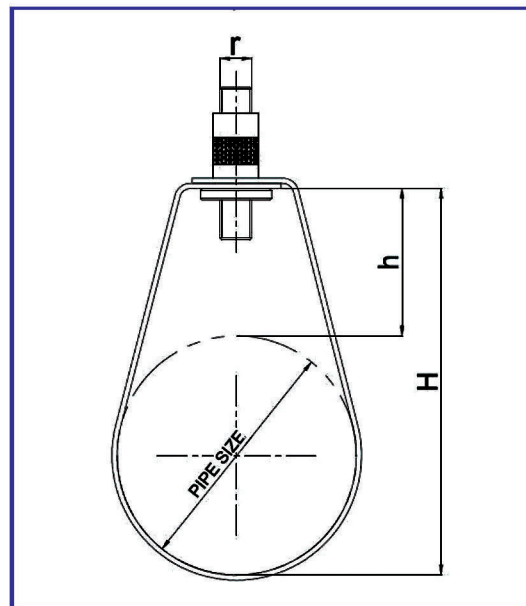
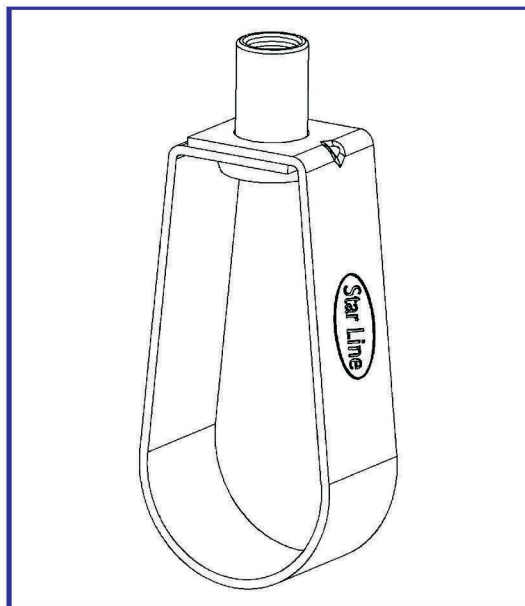


## Sprinkler Clamps

Catalogue Number : 8000103 : Rev. 01 Dated 07-10-2014



**SELECTION TABLE** (Table No: B-07-01)

Model No.	Pipe Size (inches)	Threaded Connection(r) (mm)	Strip Size (mm)	Height (mm) (H)	Height Adjustment (h) (mm)	Safe working Load (kgs)
SSC028	¾"	10	1.5x20	61	28	150
SSC035	1"	10	1.5x21	68	35	150
SSC040	1 ¼"	10	1.5x22	75	42	150
SSC048	1 ½"	10	1.5x23	81	48	150
SSC060	2"	10	1.5x24	100	60	150
SSC075	2 ½"	10	2x32	120	73	225
SSC090	3"	10	2x33	135	89	225
SSC100	3 ½"	10	2x34	150	105	225
SSC115	4"	10	2.5x32	165	115	225
SSC140	5"	12	2.5x40	195	140	300
SSC168	6"	12	3x40	230	168	300
SSC200	8"	12	3x50	290	219	450
SSC250	10"	12	3x50	315	273	500

### 1. Compliance:

- a) Federal Specification AS-A-1192 (Type 1)
- b) MSS-SP58 (Type 1)
- c) MSS-SP69
- d) WW-H-171E (Type 1)
- e) EG-ASTMB 633 SC3, BS 1706 FE / ZN 12

### 2. Material :

Mild Steel electro galvanized

### 3. Application :

Sprinkler system and fire extinguishing systems for free hanging of horizontal pipe lines.

### 4. Features :

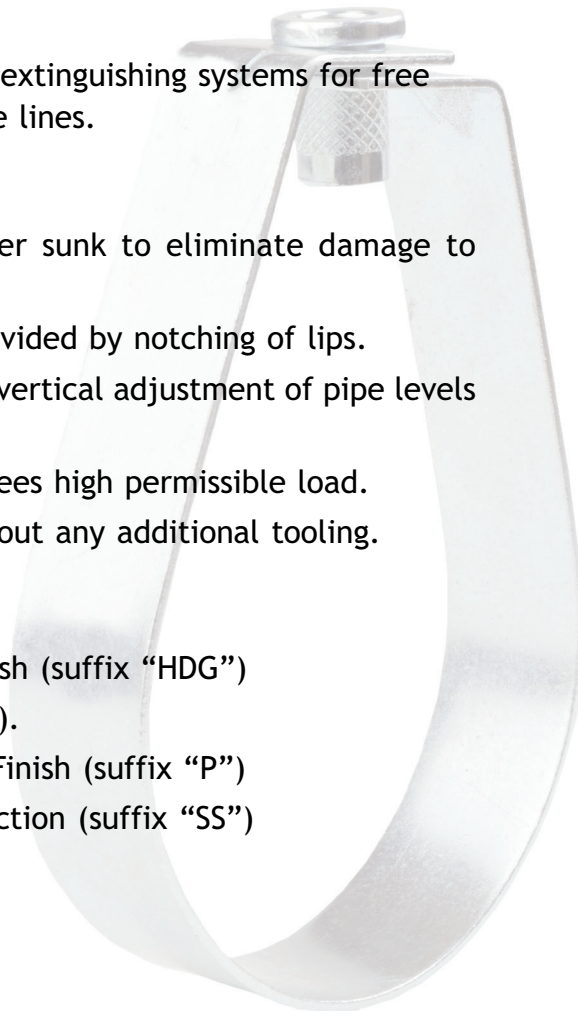
- a) Swivel Nuts are counter sunk to eliminate damage to threads.
- b) Additional strength provided by notching of lips.
- c) Knurled nut facilitates vertical adjustment of pipe levels after installation.
- d) One piece clip guarantees high permissible load.
- e) Mounting possible without any additional tooling.

### 5. Selection / Ordering :

- a) Hot Dip Galvanised finish (suffix "HDG")
- b) EPDM Lined (suffix "R").
- c) Epoxy Powder Coated Finish (suffix "P")
- d) Stainless Steel Construction (suffix "SS")



Sprinkler Clamps



### *Note:*

Due to policy of continual improvement, the specifications are subject to change without prior notice.

