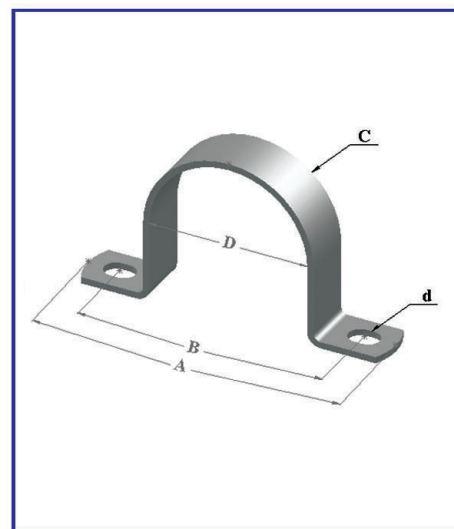
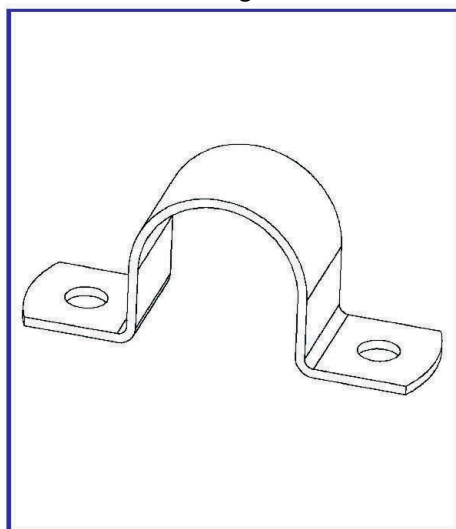


## U Strap Clamps

Catalogue Number : 8000105 : Rev. 01 Dated 07-10-2014



**DIMENSIONAL DATA FOR U-STRAP CLAMP** (Table No: B-11-01)

Model	Size	D (mm)	A (mm)	B (mm)	d Bolt Size	C Strip Size(mm)
SUSC022	½"	22	79	54	M8	25x2
SUSC028	¾"	28	85	60	M8	25x2
SUSC035	1"	35	92	67	M8	25x2
SUSC042	1 ¼"	42	99	74	M8	25x2
SUSC048	1 ½"	48	106	81	M8	25x2
SUSC054		54	112	87	M8	25x2
SUSC060	2"	60	118	93	M8	25x2
SUSC067		67	125	100	M8	25x2
SUSC075	2 ½"	75	146	116	M10	25x3
SUSC082		82	151	121	M10	25x3
SUSC086		86	157	127	M10	25x3
SUSC090	3"	90	160	130	M10	25x3
SUSC094		94	164	134	M10	25x3
SUSC100	3 ½"	100	172	142	M10	25x3
SUSC105		105	177	147	M10	25x3
SUSC110		110	182	152	M10	25x3
SUSC115	4"	115	187	157	M10	25x3
SUSC120		120	192	162	M10	25x3
SUSC126		126	198	168	M10	25x3
SUSC133		133	202	172	M10	25x3
SUSC137		137	206	176	M10	25x3
SUSC142		142	213	183	M10	25x3
SUSC148		148	219	189	M10	25x3
SUSC155		155	226	196	M10	25x3
SUSC161		161	233	203	M10	25x3
SUSC167	6"	167	240	210	M10	25x3
SUSC173		173	246	216	M10	25x3
SUSC179		179	250	220	M10	25x3
SUSC185		185	257	227	M10	38x3
SUSC190		190	262	232	M10	38x3

Model	Size	D (mm)	A (mm)	B (mm)	d Bolt Size	C Strip Size(mm)
SUSC198		198	270	240	M10	38x3
SUSC205		205	275	245	M10	38x3
SUSC212		212	281	251	M10	38x3
SUSC219	8"	219	288	258	M10	38x3
SUSC223		223	295	265	M10	38x3
SUSC230		230	300	270	M10	38x3
SUSC241		241	340	300	M12	38x4
SUSC259		259	356	316	M12	38x4
SUSC263		263	363	323	M12	38x4
SUSC273	10"	273	368	328	M12	38x4
SUSC285		285	380	340	M12	38x4
SUSC295		295	392	352	M12	38x4
SUSC315		315	412	372	M12	38x4
SUSC323	12"	323	420	380	M12	38x4
SUSC338		338	434	394	M12	38x4
SUSC345		345	446	406	M12	38x4
SUSC356	14"	356	473	423	M16	50x4
SUSC374		374	491	441	M16	50x4
SUSC387		387	506	456	M16	50x4
SUSC400		400	518	468	M16	50x4
SUSC406	16"	406	524	474	M16	50x4
SUSC420		420	541	491	M16	50x4
SUSC432		432	550	500	M16	50x4
SUSC450		450	567	517	M16	50x4
SUSC456	18"	456	574	524	M16	50x5
SUSC470		470	591	541	M16	50x5
SUSC482		482	600	550	M16	50x5
SUSC508	20"	508	624	574	M16	50x5
SUSC521		521	639	589	M16	50x5
SUSC533		533	651	601	M16	50x5
SUSC559		559	676	626	M16	50x5
SUSC572		572	690	640	M16	50x5
SUSC583		583	702	652	M16	50x5
SUSC610	24"	610	726	676	M16	50x5
SUSC634		634	762	712	M16	50x6
SUSC660		660	788	738	M16	50x6



U Strap Clamps

**1. Compliance:**

- a) Federal Specification AS-A-1192 (Type 1)
- b) MSS-SP58 (Type 1)
- c) MSS-SP69
- d) WW-H-171E (Type 1)
- e) EG-ASTMB 633 SC3, BS 1706 FE / ZN 12

**2. Material:**

Mild Steel Electro galvanized



# U Strap Clamps

Selection for Common Pipe / Insulation Sizes (Table No: B-13-01)

Steel Pipe Nominal	Clamp Model for Insulation / RSI Thickness					
	Bare Pipe	19 mm	25 mm	32 mm	38 mm	50 mm
½"	SUSC022	SUSC060	SUSC075	SUSC086	SUSC100	SUSC120
¾"	SUSC028	SUSC067	SUSC082	SUSC094	SUSC105	SUSC126
1"	SUSC035	SUSC075	SUSC086	SUSC100	SUSC110	SUSC137
1 ¼"	SUSC042	SUSC082	SUSC094	SUSC105	SUSC120	SUSC142
1 ½"	SUSC048	SUSC086	SUSC100	SUSC115	SUSC126	SUSC148
2"	SUSC060	SUSC100	SUSC110	SUSC126	SUSC137	SUSC161
2 ½"	SUSC075	SUSC115	SUSC126	SUSC142	SUSC155	SUSC175
3"	SUSC090	SUSC126	SUSC142	SUSC155	SUSC167	SUSC190
4"	SUSC115	SUSC155	SUSC167	SUSC179	SUSC190	SUSC219
5"	SUSC142	SUSC179	SUSC190	SUSC205	SUSC219	SUSC241
6"	SUSC167	SUSC205	SUSC219	SUSC230	SUSC241	SUSC273
8"	SUSC219		SUSC273	SUSC285	SUSC295	SUSC323
10"	SUSC273		SUSC323	SUSC338	SUSC345	SUSC374
12"	SUSC323		SUSC374	SUSC387	SUSC400	SUSC420
14"	SUSC356		SUSC406	SUSC420	SUSC432	SUSC456
16"	SUSC406		SUSC456	SUSC470	SUSC482	SUSC508
18"	SUSC456		SUSC508	SUSC521	SUSC533	SUSC559
20"	SUSC508		SUSC559	SUSC572	SUSC583	SUSC610

### 3. Application:

Clamping plain or insulated pipes to standard channel supports such as trapeze hangers, floor stands and wall brackets.

### 4. Features:

Slotted mounting holes for convenient installation.  
Intermediate sizes available to ensure tight installation.

### 5. Selection / Ordering:

- a) Hot Dip Galvanised Finish (Suffix "HDG")
- b) EPDM Lined (Suffix "R")
- c) Epoxy Powder Coated Finish (Suffix "P")
- d) Stainless Steel Construction (Suffix "SS")

### Note:

- Due to policy of continual improvement, the specifications are subject to change without prior notice
- Measurements are subject to 5% tolerance

